

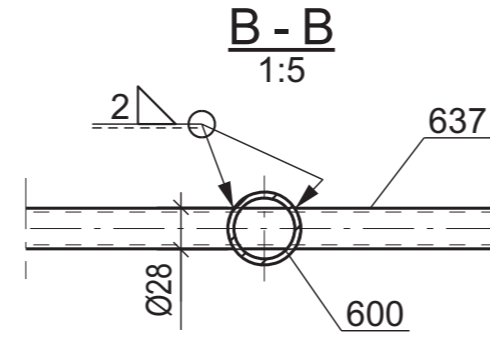
ROHR48.3*4 ... 3896 **140**
S235JR

Stückliste

140

Anzahl 2

| Positions-Nr. | Profil | Material | Anzahl | Länge | Fläche | Stückgewicht | Gesamtgewicht |
|---------------|--------------|----------|--------|-------|--------|--------------------------|---------------|
| 140 | ROHR48.3*4 | S235JR | 1 | 3896 | 0.58 | 16.3 | 16.3 |
| 362 | ROHR48.3*4 | S235JR | 1 | 375 | 0.06 | 1.6 | 1.6 |
| 570 | ROHR48.3*4 | S235JR | 1 | 1083 | 0.16 | 4.3 | 4.3 |
| 571 | ROHR48.3*4 | S235JR | 1 | 1083 | 0.16 | 4.3 | 4.3 |
| 572 | ROHR48.3*4 | S235JR | 1 | 173 | 0.02 | 0.6 | 0.6 |
| 573 | ROHR48.3*4 | S235JR | 1 | 176 | 0.02 | 0.6 | 0.6 |
| 590 | ROHR48.3*4 | S235JR | 1 | 338 | 0.05 | 1.4 | 1.4 |
| 600 | ROHR48.3*4 | S235JR | 1 | 1083 | 0.15 | 4.2 | 4.2 |
| 637 | ROHR26.9*2.6 | S235JR | 1 | 3445 | 0.29 | 5.1 | 5.1 |
| 664 | ROHR48.3*2.6 | S235JR | 1 | 49 | 0.01 | 0.1 | 0.1 |
| 584 | ROHR48.3*4 | S235JR | 2 | 47 | 0.01 | 0.2 | 0.4 |
| 378 | ROHR48.3*2.6 | S235JR | 3 | 90 | 0.01 | 0.2 | 0.7 |
| 543 | BL10*210 | S235JR | 3 | 60 | 0.03 | 1.0 | 3.0 |
| 665 | ROHR48.3*2.6 | S235JR | 3 | 41 | 0.01 | 0.1 | 0.3 |
| | | | | | | Gewicht je Hauptteil | 42.9 |
| | | | | | | Gesamtgewicht Hauptteile | 140 |
| | | | | | | Gesamt (Zeichnung) | 85.7 |



3D-Darstellung

